



The Stretch Wrapping Experts

PHOENIX PRRA 2100 AUTOMATIC ROTARY RING MACHINE SPECIFICATIONS

PERFORMANCE

Production Speed	Up to 75 pallets per hour
Maximum Load Size	48" x 50" x 80" load size
Maximum Load Weight	4000 lbs (1814 kg)

LOAD HANDLING

Wrapping Speed	21 RPM
----------------	--------

SERVICE REQUIREMENTS

Electric Service Requirements	230 VAC / 3 PH / 60 HZ
Pneumatic Requirements	3 CFM @80 PSI

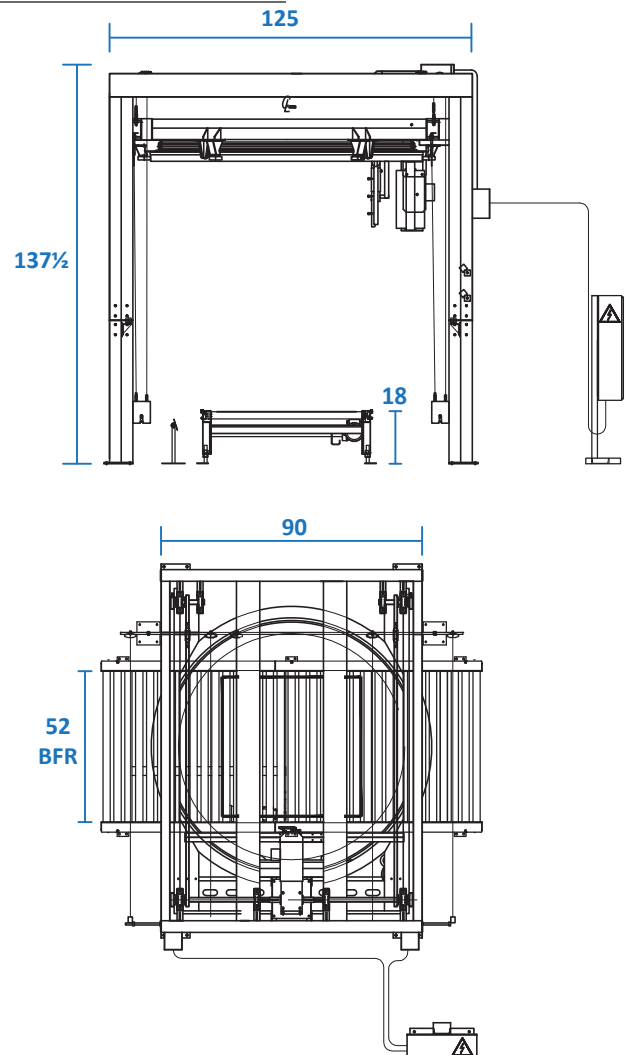
WARRANTY

3 Year Warranty
Lifetime warranty on the pre-stretch compound carriage rollers

The Phoenix 2100 Series Advantage

Conceptually similar to the old Muller Octopus series of ring wrapper but 30% less expensive. The film carriage is supported and rotated using a 96" diameter ring. Unlike a traditional turntable or rotary arm machine that must support and rotate thousands of pounds of mass just to apply the stretch film, the PRRA rotates only the carriage itself. The result is a much faster "low mass rotation system" that because of the limited stress and strain on the working component is much better suited for 24hr/7 days a week applications. Because of its ability to start and stop the cycle anywhere on the load, the Phoenix PRRA rotary ring pallet wrapper reduces stretch film cost drastically when compared to conventional rotary arm and turntable style wrappers.

Please visit www.phoenixwrappers.com for more detailed information about this machine model and all its available options.



For more information call (514) 956-1525 or visit us at www.phoenixwrappers.com