



The Stretch Wrapping Experts

## PHOENIX PRRA 2100C AUTOMATIC ROTARY RING MACHINE SPECIFICATIONS

### PERFORMANCE

|                     |                           |
|---------------------|---------------------------|
| Production Speed    | Up to 75 pallets per hour |
| Maximum Load Size   | 48" x 50" x 80" load size |
| Maximum Load Weight | 4000 lbs (1814 kg)        |

### LOAD HANDLING

|                |        |
|----------------|--------|
| Wrapping Speed | 21 RPM |
|----------------|--------|

### SERVICE REQUIREMENTS

|                               |                        |
|-------------------------------|------------------------|
| Electric Service Requirements | 230 VAC / 3 PH / 60 HZ |
| Pneumatic Requirements        | 3 CFM @80 PSI          |

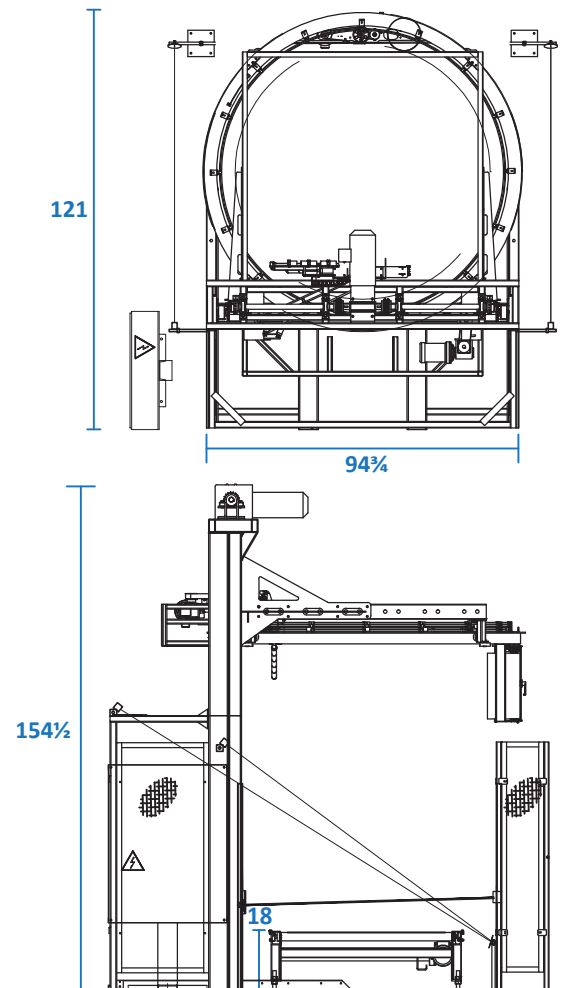
### WARRANTY

|  |
|--|
| 3 Year Warranty  |
| Lifetime warranty on the pre-stretch compound carriage rollers |

### The Phoenix 2100C Series Advantage

Do not waste premium floor space. The PRRA fits into tight locations along existing conveyor lines, the dead zones like corners areas and along wall, or anywhere where conventional wrappers can't fit due to the size. Unlike a traditional turntable or rotary arm machine that must support and rotate thousands of pounds of mass just to apply the stretch film, the PRRA rotates only the carriage itself. Because of its ability to start and stop the cycle anywhere on the load, the Phoenix PRRA rotary ring pallet wrapper reduces stretch film cost drastically when compared to conventional rotary arm and turntable style wrappers.

Please visit [www.phoenixwrappers.com](http://www.phoenixwrappers.com) for more detailed information about this machine model and all its available options.



For more information call (514) 956-1525 or visit us at [www.phoenixwrappers.com](http://www.phoenixwrappers.com)