



The Stretch Wrapping Experts

PHOENIX PHP 2150 SEMI AUTOMATIC TURNTABLE MACHINE SPECIFICATIONS

PERFORMANCE

Production Speed	Up to 40 pallets per hour
Maximum Load Size	56" x 56" x 80" load size (80" Diagonal)
Maximum Load Weight	5000 lbs (2267kg)

LOAD HANDLING

Turntable Speed (Variable)	15 RPM
Turntable Base	7x high capacity table support casters

SERVICE REQUIREMENTS

Electric Service Requirements	120 VAC /15 A / 60 HZ
-------------------------------	-----------------------

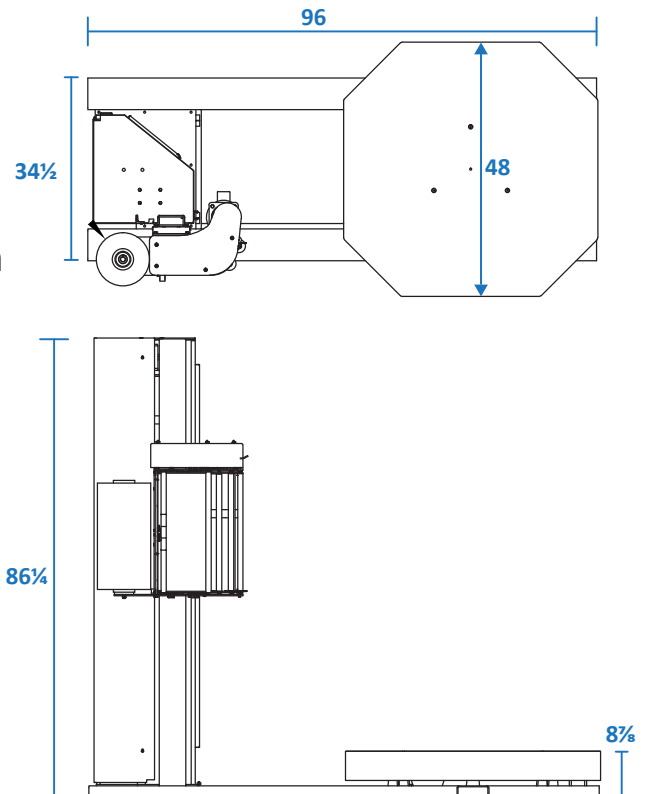
WARRANTY

5 Year Warranty
Lifetime warranty on the pre-stretch compound carriage rollers

The Phoenix 2150 Series Advantage

The Phoenix 2150 Series machines were developed to provide performance at an affordable price. Despite its compact design and basic appearance, the 2150 series is robust in construction, easy to install, operate, and simple to maintain. It is equipped with sophisticated and comprehensive controls, with features normally found only on more expensive models. Features such as Photo Eye Auto Load Height Detection and Soft Start, a powered pre-stretch film carriage for economical and cost effective operations.

Please visit www.phoenixwrappers.com for more detailed information about this machine model and all its available options.



For more information call (514) 956-1525 or visit us at www.phoenixwrappers.com